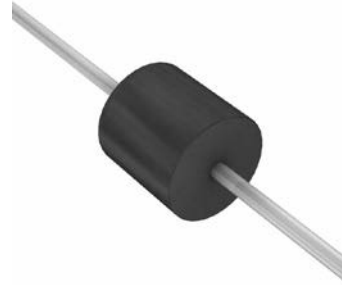


Power TVS in R-6(P600)

Features

- 15000Watts peak pulse power (10/1000 μ s)
- Class passivated junction
- High accuracy, 5% tolerance
- Uni and Bidirectional unit
- Low clamping voltage
- Low Leakage current
- Very fast response time



Mechanical Data

- **Case:** R-6(P600)(plastic package).
Lead free; RoHS compliant
- **Molding Compound Flammability Rating:**
UL 94 V-0
- **Terminals:** High temperature soldering guaranteed:
260 °C/10 sec. at terminals

Applications

- Computers
- Telecom systems
- Industrial equipments
- Consumer electronic applications
- Other VCC bus and I/O interfaces

Absolute Maximum Ratings

Ratings at 25 °C, ambient temperature unless otherwise specified

Parameter	Symbols	Value	Unit
Peak power dissipation with a 10/1000us waveform ⁽¹⁾ (Fig. 1)	P _{PPM}	15000	W
Peak pulse current with a 10/1000us waveform ⁽¹⁾	I _{PPM}	See Next Table	A
Steady state power dissipation at T _L =75 °C, lead lengths 0.375" (9.5mm) ⁽²⁾	P _{M(AV)}	8.0	W
Peak forward surge current 8.3ms single half sine-wave ⁽³⁾	I _{FSM}	400	A
Maximum instantaneous forward voltage @ 100A for unidirectional only	V _F	3.5	V
Operating junction and storage temperature range	T _J , T _{STG}	-55 to +150	°C

Notes:1.Non-repetitive current pulse, per Fig.3 and derated above T_A=25 °C per Fig. 2

2. Mounted on copper pad area of 1.6 x 1.6" (40 x 40mm) per Fig. 5

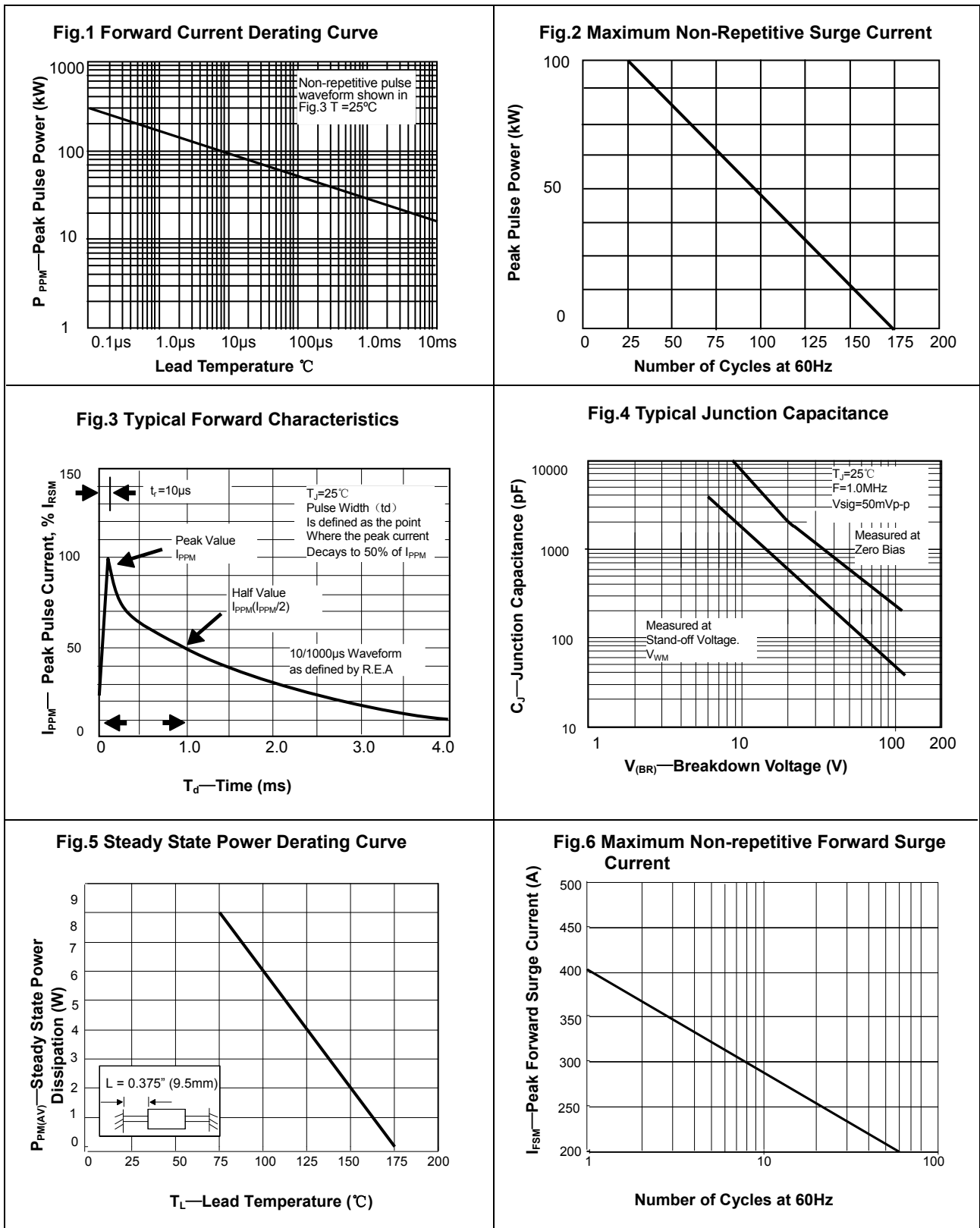
3. Measured on 8.3ms single half sine-wave or equivalent square wave, duty cycle = 4 pulses per minute maximum.

Electrical Characteristics

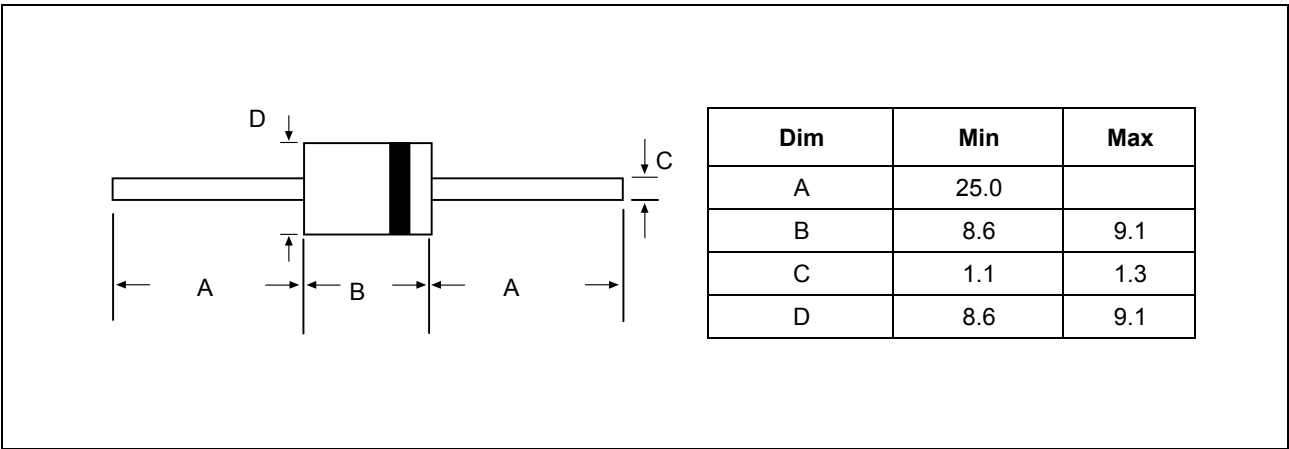
($T_A=25^{\circ}\text{C}$, Unless otherwise specified.)

Type Number		Reverse Stand-Off Voltage	Breakdown Voltage @ I_T	Test Current	Maximum Clamping Voltage @ I_{PP}	Peak Pulse Current	Reverse Leakage @ V_{RWM}
(UNI)	(BI)	$V_{RWM}(V)$	$V_{BR\ MIN.}(V)$	$I_T(mA)$	$V_C(V)$	$I_{PP}(A)$	$I_R(\mu A)$
15KPA17A	15KPA17CA	17.0	18.99	50	29.3	515.4	5000
15KPA18A	15KPA18CA	18.0	20.11	50	30.9	488.7	5000
15KPA20A	15KPA20CA	20.0	22.34	20	34.3	440.2	1500
15KPA22A	15KPA22CA	22.0	24.57	10	37.1	407.0	500
15KPA24A	15KPA24CA	24.0	26.81	5	40.7	371.0	150
15KPA26A	15KPA26CA	26.0	29.04	5	44.0	343.2	50
15KPA28A	15KPA28CA	28.0	31.28	5	47.5	317.9	25
15KPA30A	15KPA30CA	30.0	33.51	5	50.7	297.8	15
15KPA33A	15KPA33CA	33.0	36.90	5	54.7	276.1	5
15KPA36A	15KPA36CA	36.0	40.20	5	59.8	252.5	5
15KPA40A	15KPA40CA	40.0	44.70	5	65.8	229.5	5
15KPA43A	15KPA43CA	43.0	48.00	5	69.8	216.3	5
15KPA45A	15KPA45CA	45.0	50.30	5	72.8	207.4	5
15KPA48A	15KPA48CA	48.0	53.60	5	77.7	194.3	5
15KPA51A	15KPA51CA	51.0	57.00	5	82.9	182.1	5
15KPA54A	15KPA54CA	54.0	60.30	5	87.7	172.2	5
15KPA58A	15KPA58CA	58.0	64.80	5	93.8	161.0	5
15KPA60A	15KPA60CA	60.0	67.00	5	97.4	155.0	5
15KPA64A	15KPA64CA	64.0	71.50	5	104.2	144.9	5
15KPA70A	15KPA70CA	70.0	78.20	5	113.6	132.9	5
15KPA75A	15KPA75CA	75.0	83.80	5	122.0	123.8	5
15KPA78A	15KPA78CA	78.0	87.10	5	126.1	119.7	5
15KPA85A	15KPA85CA	85.0	94.90	5	137.6	109.7	5
15KPA90A	15KPA90CA	90.0	100.50	5	145.6	103.7	5
15KPA100A	15KPA100CA	100.0	111.70	5	161.3	93.6	5
15KPA110A	15KPA110CA	110.0	122.90	5	178.6	84.5	5
15KPA120A	15KPA120CA	120.0	134.00	5	192.3	78.5	5
15KPA130A	15KPA130CA	130.0	145.20	5	208.3	72.5	5
15KPA150A	15KPA150CA	150.0	167.60	5	241.9	62.4	5
15KPA160A	15KPA160CA	160.0	178.70	5	258.6	58.4	5
15KPA170A	15KPA170CA	170.0	189.90	5	272.7	55.4	5
15KPA180A	15KPA180CA	180.0	201.10	5	288.5	52.3	5
15KPA200A	15KPA200CA	200.0	223.40	5	319.1	47.3	5
15KPA220A	15KPA220CA	220.0	245.70	5	349.4	43.2	5
15KPA240A	15KPA240CA	240.0	268.10	5	384.6	39.3	5
15KPA260A	15KPA260CA	260.0	290.40	5	416.7	36.2	5
15KPA280A	15KPA280CA	280.0	312.80	5	454.5	33.2	5

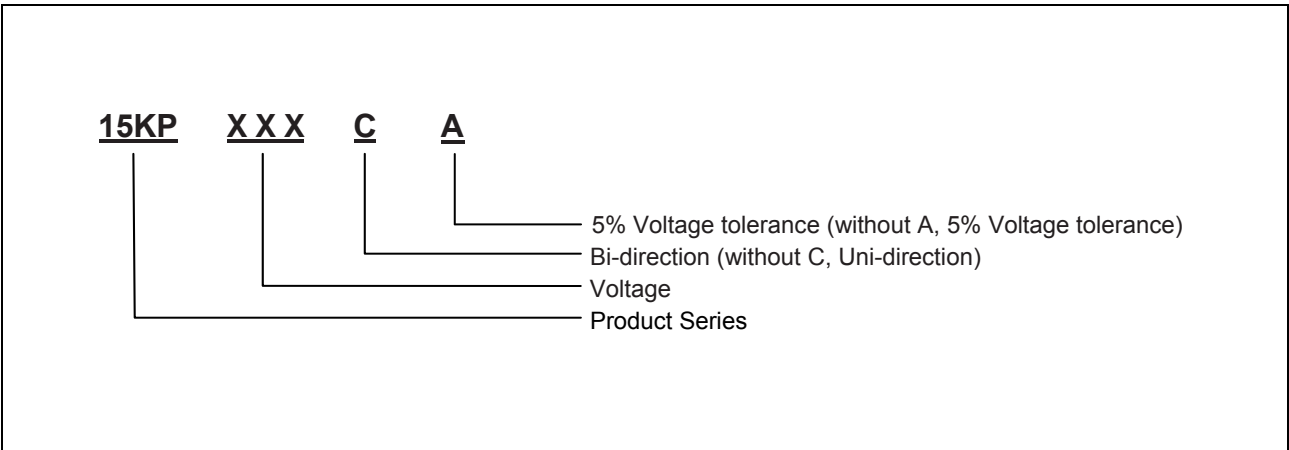
Typical Characteristics ($T_{amb} = 25^\circ\text{C}$ unless otherwise specified)



Package Dimensions



Part number system



Ordering information

Order code	Package	Packaging option	Base quantity	Packaging specification
15KPxxA(CA)	R-6(P600)	BOX	400pcs	EIA STD RS-481

Revision history

Date	Revision	Changes
23-May-2020	1.0	Initial release

CAUTION / WARNING

Information in this document is believed to be accurate and reliable. However, RDSEMI does not give any representations or warranties, expressed or implied, as to the accuracy or completeness of such information and shall have no liability for the consequences of use of such information.

Users should independently evaluate the suitability of and test each product selected for their own applications, and RDSEMI assumes no liability what's ever relating to the choice, selection or use of the RDSEMI products and services described herein.

RDSEMI reserves the right to change or update, without notice, any information contained in this publication; to change, without notice, the design, construction, processing, or specification of any product; and to discontinue or limit production or distribution of any product.

Information in this document supersedes and replaces all information previously supplied.

Products are not designed, authorized or warranted to be suitable for use in medical, military, aircraft, space or life support equipment, nor in applications where failure or malfunction of an RDSEMI product can reasonably be expected to result in personal injury, death or severe property or environmental damage. RDSEMI accepts no liability for inclusion and/or use of RDSEMI products in such equipment or applications and therefore such inclusion and/or use is at the customer's own risk.

This document as well as the item(s) described herein may be subject to export control regulations. Export might require a prior authorization from national authorities.

Resale of RDSEMI products with provisions different from the statements and/or technical features set forth in this document shall immediately void any warranty granted by RDSEMI for the RDSEMI product or service described herein and shall not create or extend in any manner whatsoever, any liability of RDSEMI.

RDSEMI expressly disclaims all implied warranties regarding the information contained herein, including, but not limited to, any implied warranties of merchantability or fitness for a particular purpose. RDSEMI only obligations are those in the RDSEMI Standard Terms and Conditions of Sale and in no case will RDSEMI be liable for any incidental, indirect, or consequential damages arising from the sale, resale, use, or misuse of its products.

Specifications are subject to change without notice
© Copyright 2020, DaJing Semiconductor
All rights reserved