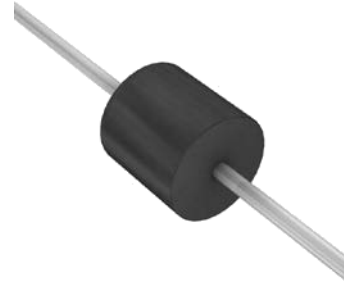


Power TVS in R-6(P600)

Features

- 3000Watts peak pulse power (10/1000 μ s)
- Class passivated junction
- High accuracy, 5% tolerance
- Uni and Bidirectional unit
- Low clamping voltage
- Low Leakage current
- Very fast response time



Mechanical Data

- **Case:** R-6(P600)(plastic package).
Lead free; RoHS compliant
- **Molding Compound Flammability Rating:**
UL 94 V-0
- **Terminals:** High temperature soldering guaranteed:
260 °C/10 sec. at terminals

Applications

- Computers
- Telecom systems
- Industrial equipments
- Consumer electronic applications
- Other VCC bus and I/O interfaces

Absolute Maximum Ratings

Ratings at 25 °C, ambient temperature unless otherwise specified

Parameter	Symbols	Value	Unit
Peak power dissipation with a 10/1000us waveform ⁽¹⁾ (Fig. 1)	P _{PPM}	3000	W
Peak pulse current with a 10/1000us waveform ⁽¹⁾	I _{PPM}	See Next Table	A
Steady state power dissipation at T _L =75 °C, lead lengths 0.375" (9.5mm) ⁽²⁾	P _{M(AV)}	7.0	W
Peak forward surge current 8.3ms single half sine-wave ⁽³⁾	I _{FSM}	300	A
Maximum instantaneous forward voltage @ 100A for unidirectional only	V _F	3.5 5.0	V
Operating junction and storage temperature range	T _J , T _{STG}	-55 to +150	°C

Notes:1.Non-repetitive current pulse, per Fig.3 and derated above T_A=25 °C per Fig. 2

2. Mounted on copper pad area of 1.6 x 1.6" (40 x 40mm) per Fig. 5

3. Measured on 8.3ms single half sine-wave or equivalent square wave, duty cycle = 4 pulses per minute maximum.

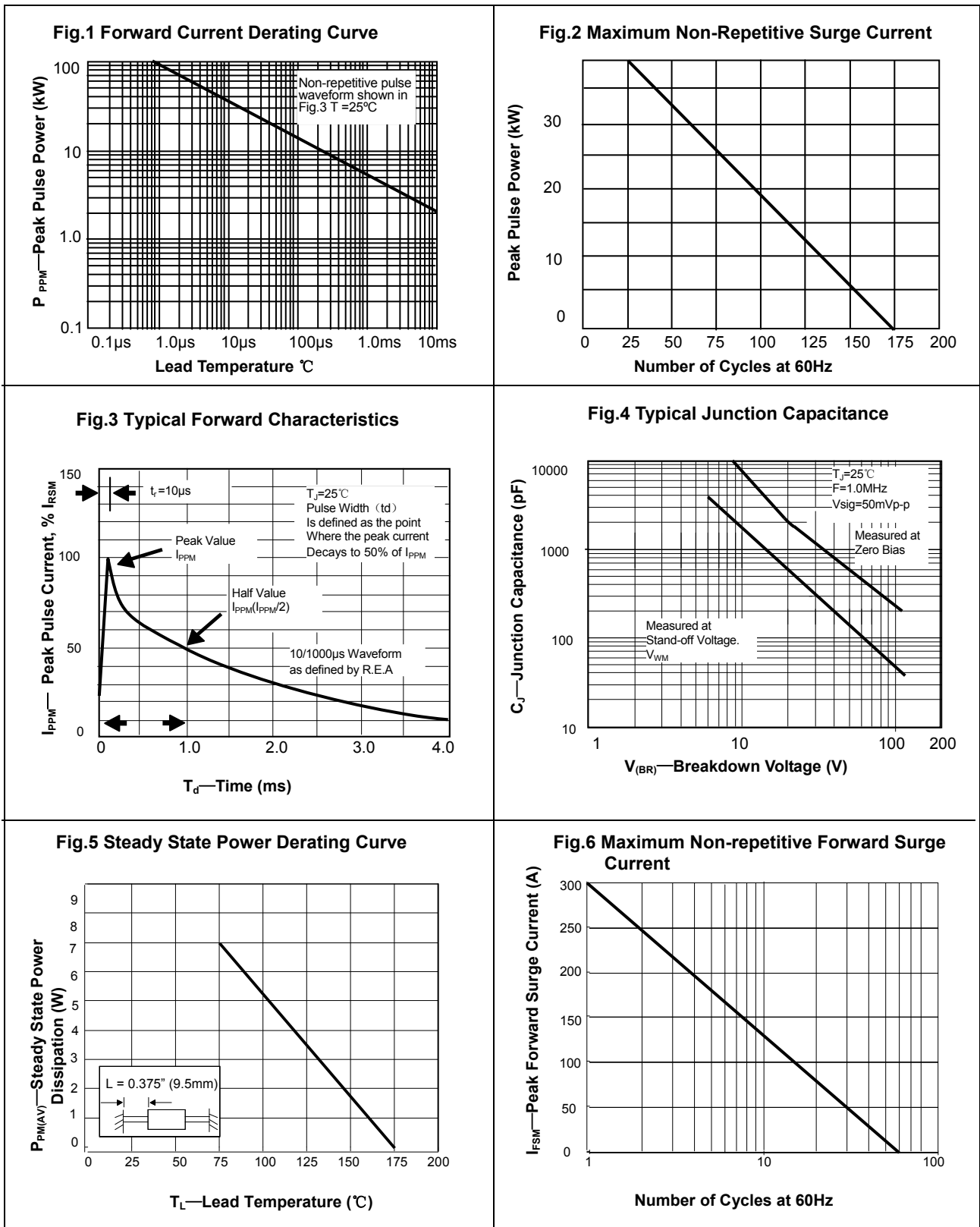
Electrical Characteristics

(T_A=25°C, Unless otherwise specified.)

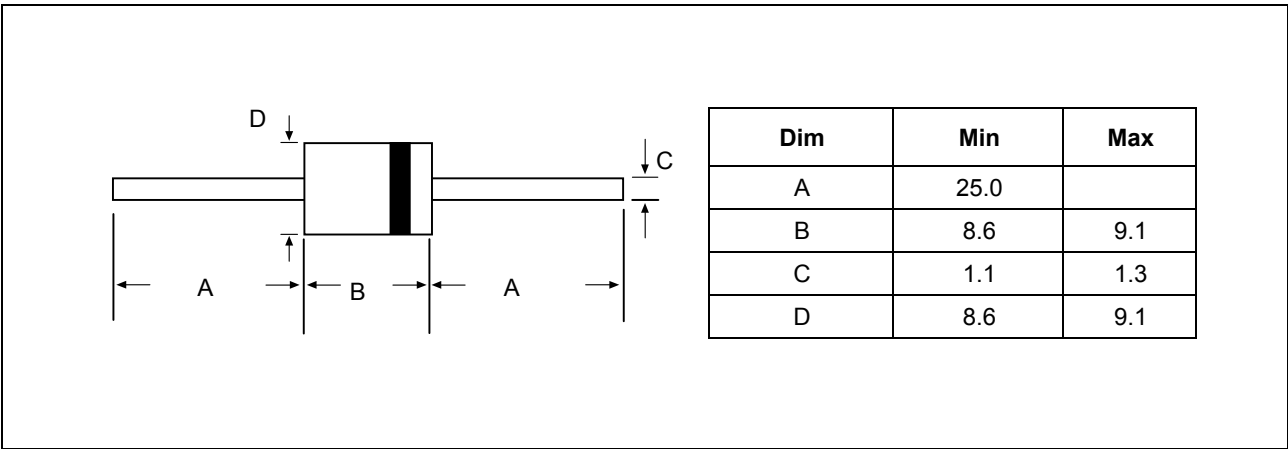
Part Number (Uni)	Part Number (Bi)	Reverse Stand off Voltage V _R (Volts)	Breakdown Voltage V _{BR} (Volts) @ I _T		Test Current I _T (mA)	Maximum Clamping Voltage V _C @ I _{PP} (V)	Maximum Peak Pulse Current I _{PP} (A)	Maximum Reverse Leakage I _R @ V _R (μA)
			MIN	MAX				
3KP5.0A	3KP5.0CA	5.0	6.40	7.00	50	9.2	326.1	5000
3KP6.0A	3KP6.0CA	6.0	6.67	7.37	50	10.3	291.3	5000
3KP6.5A	3KP6.5CA	6.5	7.22	7.98	50	11.2	267.9	2000
3KP7.0A	3KP7.0CA	7.0	7.78	8.60	50	12.0	250.0	1000
3KP7.5A	3KP7.5CA	7.5	8.33	9.21	5	12.9	232.6	250
3KP8.0A	3KP8.0CA	8.0	8.89	9.83	5	13.6	220.6	150
3KP8.5A	3KP8.5CA	8.5	9.44	10.40	5	14.4	208.3	50
3KP9.0A	3KP9.0CA	9.0	10.00	11.40	5	15.4	194.8	20
3KP10A	3KP10CA	10.0	11.10	12.30	5	17.0	176.5	15
3KP11A	3KP11CA	11.0	12.20	13.50	5	18.2	164.8	2
3KP12A	3KP12CA	12.0	13.30	14.70	5	19.9	150.8	2
3KP13A	3KP13CA	13.0	14.40	15.90	5	21.5	139.5	2
3KP14A	3KP14CA	14.0	15.60	17.20	5	23.2	129.3	2
3KP15A	3KP15CA	15.0	16.70	18.50	5	24.4	123.0	2
3KP16A	3KP16CA	16.0	17.80	19.70	5	26.0	115.4	2
3KP17A	3KP17CA	17.0	18.90	20.90	5	27.6	108.7	2
3KP18A	3KP18CA	18.0	20.00	22.10	5	29.2	102.7	2
3KP20A	3KP20CA	20.0	22.20	24.50	5	32.4	92.6	2
3KP22A	3KP22CA	22.0	24.00	26.90	5	35.5	84.5	2
3KP24A	3KP24CA	24.0	26.70	29.50	5	38.9	77.1	2
3KP26A	3KP26CA	26.0	28.90	31.90	5	42.1	71.3	2
3KP28A	3KP28CA	28.0	31.10	34.40	5	45.4	66.1	2
3KP30A	3KP30CA	30.0	33.30	36.80	5	48.4	62.0	2
3KP33A	3KP33CA	33.0	36.70	40.60	5	53.3	56.3	2
3KP36A	3KP36CA	36.0	40.00	44.20	5	58.1	51.6	2
3KP40A	3KP40CA	40.0	44.40	49.10	5	64.5	46.5	2
3KP43A	3KP43CA	43.0	47.80	52.80	5	69.4	43.2	2
3KP45A	3KP45CA	45.0	50.00	55.30	5	72.7	41.3	2
3KP48A	3KP48CA	48.0	53.30	58.90	5	77.4	38.8	2
3KP51A	3KP51CA	51.0	56.70	62.70	5	82.4	36.4	2
3KP54A	3KP54CA	54.0	60.00	66.30	5	87.1	34.4	2
3KP58A	3KP58CA	58.0	64.40	71.20	5	93.6	32.1	2
3KP60A	3KP60CA	60.0	66.70	73.70	5	96.8	31.0	2
3KP64A	3KP64CA	64.0	71.10	78.60	5	103.0	29.1	2
3KP70A	3KP70CA	70.0	77.80	86.00	5	113.0	26.5	2
3KP75A	3KP75CA	75.0	83.30	92.10	5	121.0	24.8	2
3KP78A	3KP78CA	78.0	86.70	95.80	5	126.0	23.8	2
3KP85A	3KP85CA	85.0	94.40	104.00	5	137.0	21.9	2
3KP90A	3KP90CA	90.0	100.00	111.00	5	146.0	20.5	2
3KP100A	3KP100CA	100.0	110.00	123.00	5	162.0	18.5	2
3KP110A	3KP110CA	110.0	122.00	135.00	5	177.0	16.9	2
3KP120A	3KP120CA	120.0	133.00	147.00	5	193.0	15.5	2
3KP130A	3KP130CA	130.0	144.00	159.00	5	209.0	14.4	2
3KP150A	3KP150CA	150.0	167.00	185.00	5	243.0	12.3	2
3KP160A	3KP160CA	160.0	178.00	197.00	5	259.0	11.6	2
3KP170A	3KP170CA	170.0	189.00	209.00	5	275.0	10.9	2
3KP180A	3KP180CA	180.0	200.00	221.00	5	292.0	10.4	2
3KP190A	3KP190CA	190.0	211.00	233.00	5	310.0	9.70	2
3KP200A	3KP200CA	200.0	222.00	246.00	5	329.2	9.10	2
3KP210A	3KP210CA	210.0	233.00	258.00	5	349.5	8.60	2
3KP220A	3KP220CA	220.0	244.00	270.00	5	371.1	8.10	2
3KP250A	3KP250CA	250.0	277.00	306.00	5	425.0	7.05	2

For bidirectional type having V_R of 10 volts and less, the I_T limit is double. For parts without A, the V_{BR} is ± 10% and V_C is 5% higher than with A parts

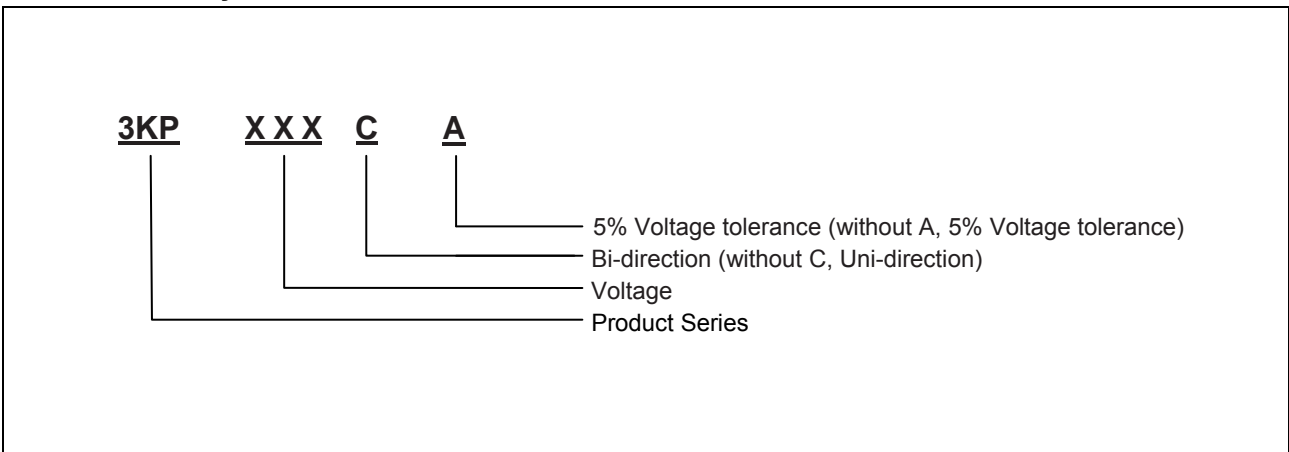
Typical Characteristics ($T_{amb} = 25\text{ }^{\circ}\text{C}$ unless otherwise specified)



Package Dimensions



Part number system



Ordering information

Order code	Package	Packaging option	Base quantity	Packaging specification
3KPxxA(CA)	R-6(P600)	BOX	400pcs	EIA STD RS-481

Revision history

Date	Revision	Changes
23-May-2020	1.0	Initial release

CAUTION / WARNING

Information in this document is believed to be accurate and reliable. However, RDSEMI does not give any representations or warranties, expressed or implied, as to the accuracy or completeness of such information and shall have no liability for the consequences of use of such information.

Users should independently evaluate the suitability of and test each product selected for their own applications, and RDSEMI assumes no liability what's ever relating to the choice, selection or use of the RDSEMI products and services described herein.

RDSEMI reserves the right to change or update, without notice, any information contained in this publication; to change, without notice, the design, construction, processing, or specification of any product; and to discontinue or limit production or distribution of any product.

Information in this document supersedes and replaces all information previously supplied.

Products are not designed, authorized or warranted to be suitable for use in medical, military, aircraft, space or life support equipment, nor in applications where failure or malfunction of an RDSEMI product can reasonably be expected to result in personal injury, death or severe property or environmental damage. RDSEMI accepts no liability for inclusion and/or use of RDSEMI products in such equipment or applications and therefore such inclusion and/or use is at the customer's own risk.

This document as well as the item(s) described herein may be subject to export control regulations. Export might require a prior authorization from national authorities.

Resale of RDSEMI products with provisions different from the statements and/or technical features set forth in this document shall immediately void any warranty granted by RDSEMI for the RDSEMI product or service described herein and shall not create or extend in any manner whatsoever, any liability of RDSEMI.

RDSEMI expressly disclaims all implied warranties regarding the information contained herein, including, but not limited to, any implied warranties of merchantability or fitness for a particular purpose. RDSEMI only obligations are those in the RDSEMI Standard Terms and Conditions of Sale and in no case will RDSEMI be liable for any incidental, indirect, or consequential damages arising from the sale, resale, use, or misuse of its products.

Specifications are subject to change without notice
© Copyright 2020, DaJing Semiconductor
All rights reserved