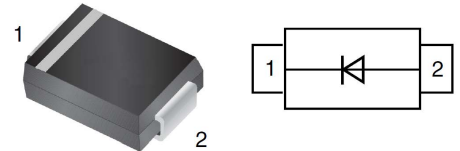


Surface Mount Silicon Zener Diodes in DO-214AC/SMA

Features

- 符合 RoHS 环保要求
- 符合 AEC-Q101 汽车级标准
- 符合 JEDEC 标准
- 符合 MIL-STD-883C 标准
- 符合 IEC 60747-1 标准
- 符合 GB/T 3430 标准



Mechanical Data

- **Case:** DO-214AC (SMA)
- Lead length: 0.5mm
- **Molding Compound Flammability Rating:** V-0
- **Terminals:** Lead 1 is cathode, Lead 2 is anode

Absolute Maximum Ratings

Ratings at 25°C ambient temperature unless otherwise specified.

Parameter	Symbol	Value	UNIT
DC power dissipation at $T_L = 50^\circ\text{C}^{(1)}$	P_D	3.0	W
Maximum forward voltage at $I_F = 200\text{ mA}$	V_F	1.5	V
Junction temperature range	T_J	- 55 to + 150	°C
Storage temperature range	T_{STG}	- 55 to + 150	°C

Note:

(1) T_L = Lead temperature at 3/8 " (9.5mm) from body

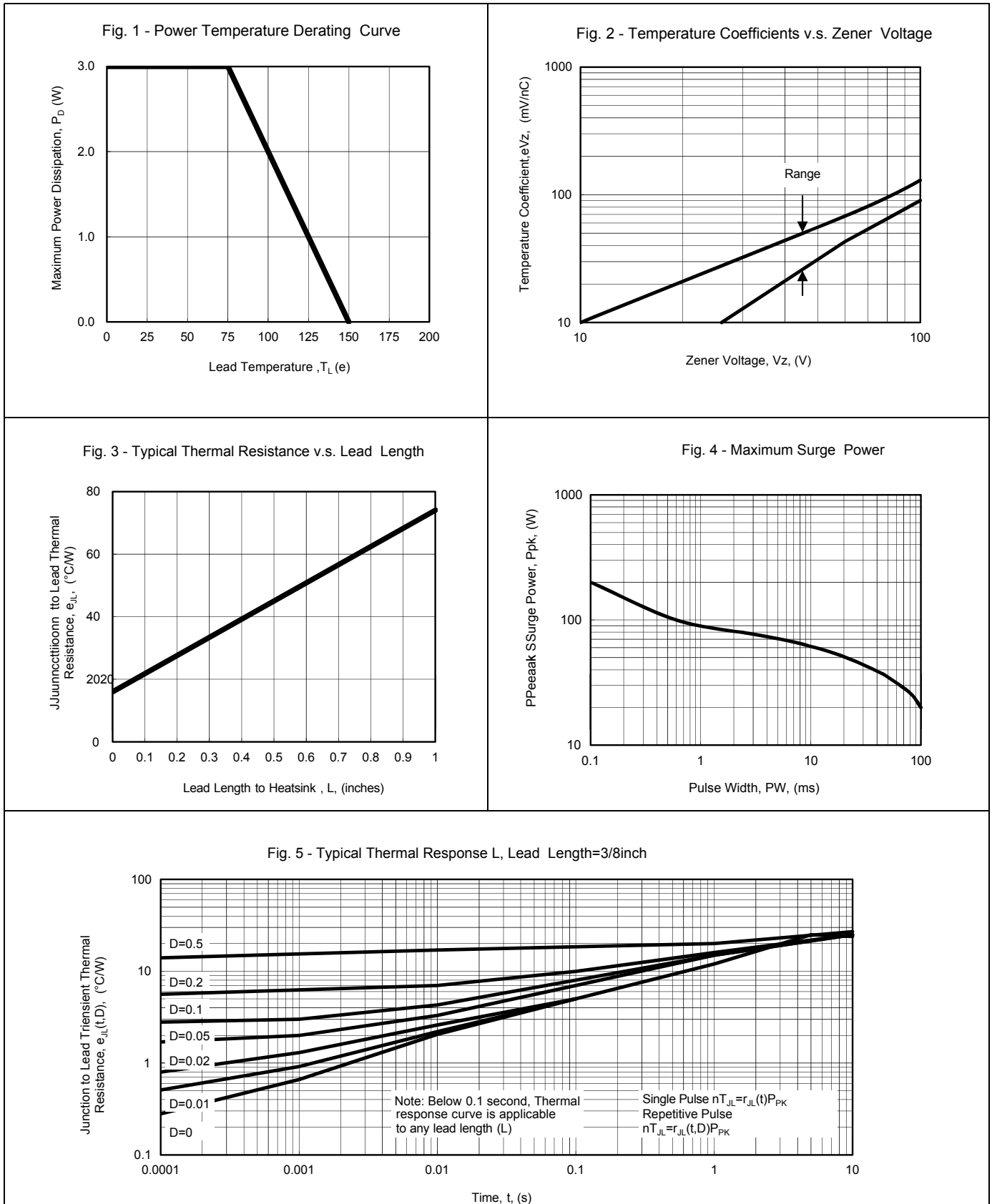
Typical Characteristics (T_{amb} = 25 °C unless otherwise specified)

Part Number	Nominal Zener Voltage		Maximum Zener Impedance			Maximum Reverse Leakage Current		Maximum DC Zener Current
	V _Z @ I _{ZT}	I _{ZT}	Z _{ZT} @ I _{ZT}	Z _{ZK} @ I _{ZK}	I _{ZK}	I _R @ V _R		I _{ZM}
	(V)	(mA)	(Ω)	(Ω)	(mA)	(BA)	(V)	(mA)
SMA3EZ3.3D5	3.3	113.6	10.0	500	1.00	100.0	1.0	454
SMA3EZ3.6D5	3.6	104.2	9.0	500	1.00	75.0	1.0	416
SMA3EZ3.9D5	3.9	96.1	7.5	500	1.00	25.0	1.0	384
SMA3EZ4.3D5	4.3	87.2	6.0	500	1.00	5.0	1.0	348
SMA3EZ4.7D5	4.7	79.8	5.0	500	1.00	5.0	1.5	319
SMA3EZ5.1D5	5.1	73.5	4.0	350	1.00	5.0	2.0	294
SMA3EZ5.6D5	5.6	66.9	2.0	250	1.00	5.0	3.0	267
SMA3EZ6.2D5	6.2	60.5	2.0	200	1.00	2.5	4.0	240
SMA3EZ6.8D5	6.8	55.1	2.5	200	1.00	2.5	5.2	220
SMA3EZ7.5D5	7.5	50.0	3.0	400	0.50	2.5	6.0	200
SMA3EZ8.2D5	8.2	45.7	3.5	400	0.50	2.5	6.5	182
SMA3EZ9.1D5	9.1	41.2	4.0	500	0.50	2.5	7.0	164
SMA3EZ10D5	10.0	37.5	4.5	500	0.25	2.5	8.0	150
SMA3EZ11D5	11.0	34.1	5.5	550	0.25	0.5	8.4	136
SMA3EZ12D5	12.0	31.2	6.5	550	0.25	0.5	9.1	125
SMA3EZ13D5	13.0	28.8	7.0	550	0.25	0.5	9.9	115
SMA3EZ15D5	15.0	25.0	9.0	600	0.25	0.5	11.4	100
SMA3EZ16D5	16.0	23.4	10.0	600	0.25	0.5	12.2	93
SMA3EZ18D5	18.0	20.8	12.0	650	0.25	0.5	13.7	83
SMA3EZ20D5	20.0	18.7	14.0	650	0.25	0.5	15.2	75
SMA3EZ22D5	22.0	17.0	17.5	650	0.25	0.5	16.7	68
SMA3EZ24D5	24.0	15.6	19.0	700	0.25	0.5	18.2	62
SMA3EZ27D5	27.0	13.9	23.0	700	0.25	0.5	20.6	55
SMA3EZ30D5	30.0	12.5	26.0	750	0.25	0.5	22.8	50
SMA3EZ33D5	33.0	11.4	33.0	800	0.25	0.5	25.1	45
SMA3EZ36D5	36.0	10.4	38.0	850	0.25	0.5	27.4	41
SMA3EZ39D5	39.0	9.6	45.0	900	0.25	0.5	29.7	38
SMA3EZ43D5	43.0	8.7	53.0	950	0.25	0.5	32.7	34
SMA3EZ47D5	47.0	8.0	67.0	1000	0.25	0.5	35.8	31
SMA3EZ51D5	51.0	7.3	70.0	1100	0.25	0.5	38.8	29
SMA3EZ56D5	56.0	6.7	86.0	1300	0.25	0.5	42.6	26
SMA3EZ62D5	62.0	6.0	100.0	1500	0.25	0.5	47.1	24
SMA3EZ68D5	68.0	5.5	120.0	1700	0.25	0.5	51.7	22
SMA3EZ75D5	75.0	5.0	140.0	2000	0.25	0.5	56.0	20
SMA3EZ82D5	82.0	4.6	160.0	2500	0.25	0.5	62.2	18
SMA3EZ91D5	91.0	4.1	200.0	3000	0.25	0.5	69.2	16
SMA3EZ100D5	100.0	3.7	250.0	3100	0.25	0.5	76.0	15
SMA3EZ110D5	110.0	3.4	300.0	4000	0.25	0.5	83.6	13
SMA3EZ120D5	120.0	3.1	380.0	4500	0.25	0.5	91.2	12
SMA3EZ130D5	130.0	2.9	450.0	5000	0.25	0.5	98.8	11
SMA3EZ150D5	150.0	2.5	600.0	6000	0.25	0.5	114.0	10
SMA3EZ160D5	160.0	2.3	700.0	6500	0.25	0.5	121.6	9
SMA3EZ180D5	180.0	2.1	900.0	7000	0.25	0.5	136.8	8
SMA3EZ200D5	200.0	1.9	1200.0	8000	0.25	0.5	152.0	7

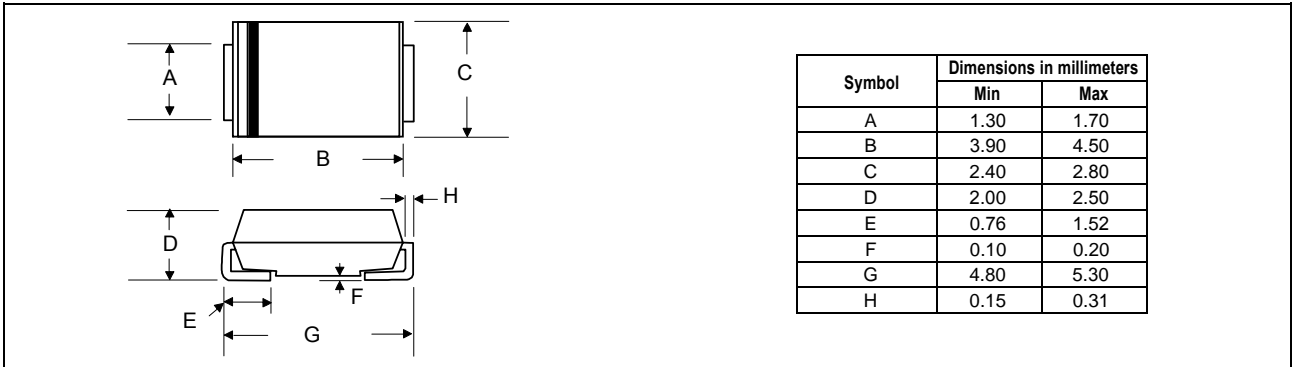
Notes :

- (1) The type number listed have a standard tolerance on the nominal zener voltage of ± 5 %
- (2) The reverse surge current is a non-repetitive, 8.3ms pulse width square wave or equivalent sine-wave superimposed on I_{ZT} per method.

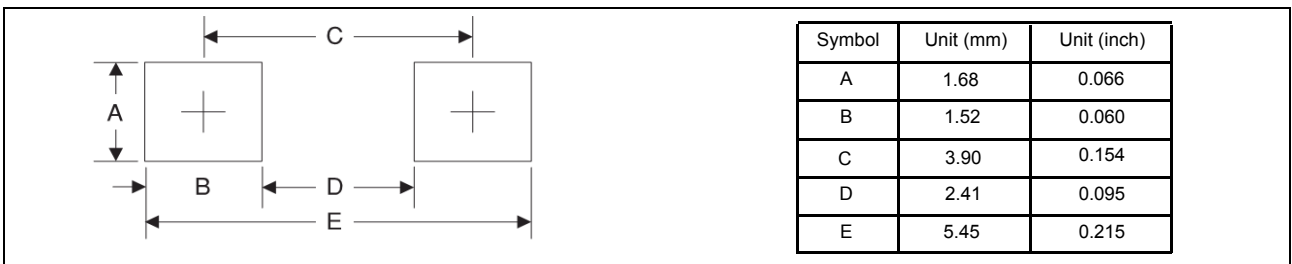
Typical Characteristics ($T_{amb} = 25\text{ }^{\circ}\text{C}$ unless otherwise specified)



Package Dimensions



PAD Dimensions



Ordering information

Order code	Package	Packaging option	Base quantity	Packaging specification
SMA3EZxxxD5	DO-214AC/SMA	Tape and reel	5000pcs / reel	EIA STD RS-481

Revision history

Date	Revision	Changes
23-May-2020	1.0	Initial release

CAUTION / WARNING

Information in this document is believed to be accurate and reliable. However, RDSEMI does not give any representations or warranties, expressed or implied, as to the accuracy or completeness of such information and shall have no liability for the consequences of use of such information.

Users should independently evaluate the suitability of and test each product selected for their own applications, and RDSEMI assumes no liability what's ever relating to the choice, selection or use of the RDSEMI products and services described herein.

RDSEMI reserves the right to change or update, without notice, any information contained in this publication; to change, without notice, the design, construction, processing, or specification of any product; and to discontinue or limit production or distribution of any product.

Information in this document supersedes and replaces all information previously supplied.

Products are not designed, authorized or warranted to be suitable for use in medical, military, aircraft, space or life support equipment, nor in applications where failure or malfunction of an RDSEMI product can reasonably be expected to result in personal injury, death or severe property or environmental damage. RDSEMI accepts no liability for inclusion and/or use of RDSEMI products in such equipment or applications and therefore such inclusion and/or use is at the customer's own risk.

This document as well as the item(s) described herein may be subject to export control regulations. Export might require a prior authorization from national authorities.

Resale of RDSEMI products with provisions different from the statements and/or technical features set forth in this document shall immediately void any warranty granted by RDSEMI for the RDSEMI product or service described herein and shall not create or extend in any manner whatsoever, any liability of RDSEMI.

RDSEMI expressly disclaims all implied warranties regarding the information contained herein, including, but not limited to, any implied warranties of merchantability or fitness for a particular purpose. RDSEMI only obligations are those in the RDSEMI Standard Terms and Conditions of Sale and in no case will RDSEMI be liable for any incidental, indirect, or consequential damages arising from the sale, resale, use, or misuse of its products.

Specifications are subject to change without notice
© Copyright 2020, DaJing Semiconductor
All rights reserved